

High Temperature Diaphragm Sealed Pressure Gauges (551P & 553P Series)

Applications

- Specially designed for chemical, petrochemical, paper and food industry
- All gaseous and liquid media
- Corrode, Suspended solid, Viscous or Frozen medium
- Shock & vibration application
- Chemical & petrochemical
- Pumps, compressors and regulators
- Refining & marine industry

Pressure Limitation

- Steady : 3/4 of full scale value
[recommendation : 25% to 75% of full scale]
- Fluctuating : 2/3 of full scale value
[recommendation : lower 50% of full scale]
- Short time : 130% of full scale value (over range protection)

Operating Temperature

- Ambient : -20 ~ 65°C
- Media (Fluid) : -20 ~ 330°C

Standard Specification Overview

Dial Size

- 100mm (4")

Reference Accuracy

- Refer to Gauge Model

Scale Ranges

- 0 ~ 50 MPa
- * For more information, see the ordering information table.

Process Connection

- PF ("G" in ISO) 3/4"
- PF ("G" in ISO) 1"

Material

- Diaphragm : 316L SS
- Under Housing : 316 SS
- Pocket : S45C , 316 SS

Optional Extra

- Test Report by Manufacturer
- Test Report by KOLAS (ILAC-MRA)
- Material Certificate (Mill Sheet)
- Material of Pocket 316 SS



Special Notes

1. Other Process Connections are available as option.

Ordering Information for 551P & 553P Series

● = Standard Products ▲ = Available NA = Not Available

Model	Description
551P	Direct High Temperature Diaphragm Sealed Pressure Gauges
553P	Remote High Temperature Diaphragm Sealed Pressure Gauges
Code	Dial Size & Model
D5	100mm (Model 321P)

For model 551P, mounting type "A" applies. Other mounting types are available and use accessory model.

For model 553P, mounting type "B" applies. Other mounting types are available and use accessory model.

Other pressure model is available. See the available gauge model table

Code	Process Connection Style	All
3	PF ("G" in ISO Standard)	●
X	Others	

Code	Process Connection Size	All
H	3/4"	▲
J	1"	●
X	Others	

Code	Pressure Range	All
127	0 ~ 10 MPa	●
128	0 ~ 15 MPa	●
129	0 ~ 25 MPa	●
130	0 ~ 35 MPa	●
132	0 ~ 50 MPa	●

* MPa (SI Unit) is the standard dial scale but others are available upon request.

Code	Diaphragm Material	Under Housing Material	Pocket Length	Pocket Material	All
A	316L SS	316 SS	80 mm	S45C	●
B	316L SS	316 SS	150 mm	S45C / SS316	▲
C	316L SS	316 SS	200 mm	S45C	▲
D	316L SS	316 SS	300 mm	S45C	▲

Code	Capillary Connection Length		
00	Direct	56	3.0m
51	0.5m	57	3.5 m
52	1.0 m	58	4.0 m
53	1.5 m	59	5.0m
54	2.0 m	60	Others
55	2.5 m	* Recommend Length Max 10M	

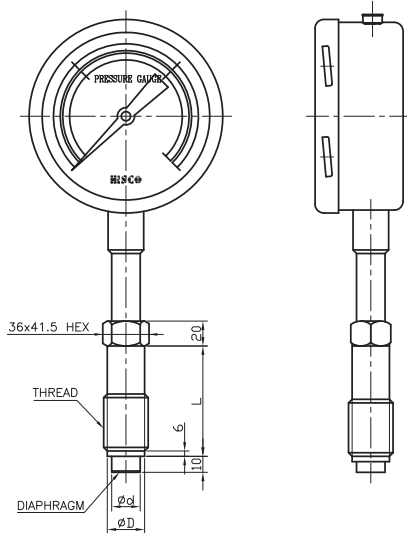
Code	Applicable Accessory Options
J0	Not Apply
J3	Syphon Tubes
J4	Pulsation Dampeners
J7	Gauge Savers (Gauge Protectors)

Code	Options	All
Test Reports		
T1	Test Report by Manufacturer	▲

T2	Test Report by KOLAS (ILAC-MRA)	▲
Other Option		
M1	Material Certificate (Mill Sheet)	▲
S9	Material of Pocket 316 SS	▲
Sample Model Selection : 551PA13H130A00J0		
* The standard specification and price are subject to change without prior notice.		

High Temperature Diaphragm Sealed Pressure Gauges (551P & 553P Series)

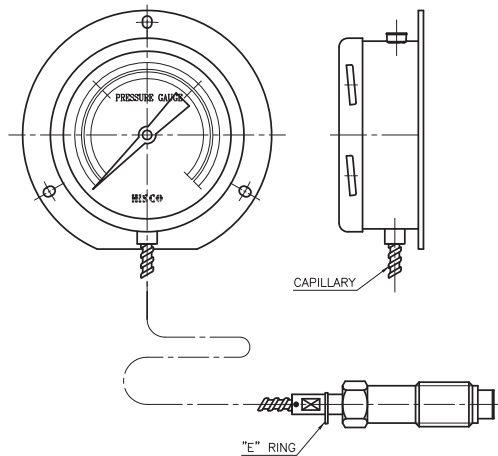
551P



(UNIT : mm)

THREAD	L	ϕD	ϕd
PF 3/4"	80,150,200,300	23.6	18
PF 1"		30.2	24

553P (REMOTE TYPE)



HISCO HISCO, INC.

32, Seonyu-ro 43-gil, Yeongdeungpo-gu, Seoul, Korea
 T : 82-2-2677-6046 F : 82-2-2672-1873 <http://www.hiscoi.com>