

Quick Float Type Level Switch

Model : SQ-Series



SQ-Series

Quick Float Type Level Switch

Introduction

Quick Float Level Switch and Controller are used for automatically controlling liquid level in tanks.

Principle

SQM

Activation of the switch takes place when the reed switch passes through the center of the doughnut shaped magnet.

SQH/SQE(316SS)

Micro switch lever is activated by the weight of a rolling ball within a capsule inside the tilting float.

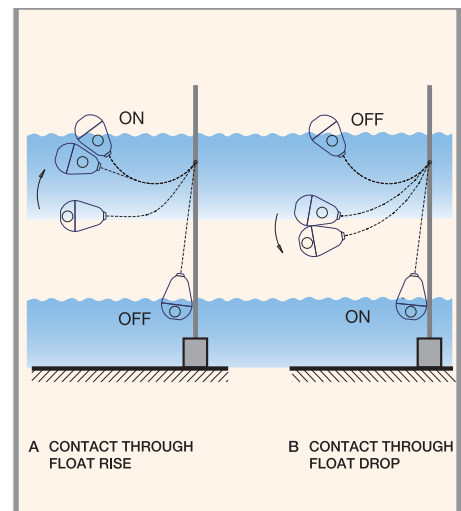


Contact Type	A	B	A & B
Micro Switch (Type: H)			
Mercury Switch (Type: C)			

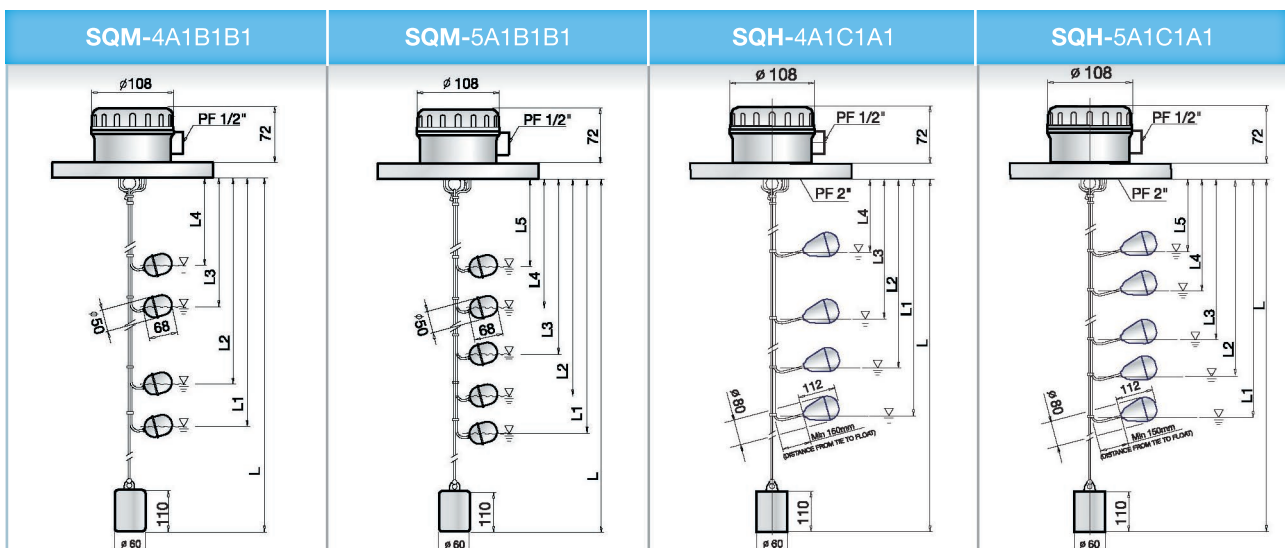
(Sticker for classification mark)

Features

- Installation is simple, and ON/OFF positions may be easily changed at the job site.
- It can be used to control level of clean, waste or sanitary water.
- It has been widely used in the final stage of sanitary water processing.
- It can be readily installed at the job site where ceiling levels are low.
- Control signal output is precise despite its low price.



Dimensions



Specifications

► Switch

Description	Type	SQM	SQH	SQC	SQE
Switch Type		Reed Switch	Micro Switch	Mercury Switch	
Contact Rating		300V AC 0.5A/350V DC, 0.7A	3A,250V AC/5A,125V AC	1A 120V AC	
Temperature		-10°C ~ +70°C			-10°C ~ 150°C
Operating Pressure		2kgf /cm ² Max.			10kg/cm ²
Specific Gravity		0.7	0.9		0.75
Activation Angle		±30°	±25°	±25°	±25°
Measuring Range		20 m Max.			
Float Material		ABS Resin			316SS
Cable Material		VCT (PVC Rubber)			Silicone Rubber
Float Size		Ø50×68	Ø80×112H		Ø67×120H
Weight Size		SS41Ø40×58.8H	PVC(Ø60×110H), 304/316SS(Ø60×80H)		
Enclosure Protection		Weather Proof			

► Level Controller

Description	Type	Multi-Wire	2 - Wire
Sensor(Output Voltage)		SEC-3U 12V AC	24V DC
		SQ-2U 12V DC	
Contact Rating		5A, 250V AC	
Power Supply		110 or 220V AC ±10%,50/60Hz	110/220V AC ±10%, 50/60Hz
Control Output		SEC-3U : Control (Supply) SQ-2U : Control (Drain)	SQ-4U-5W : L/AL,Control,H/AL SQ-2ST-6W : L/AL,C1,C2,H/AL SMA-4P-5W : LL,L,H,HH (AL1,AL2,AL3,AL4) SQ-4U-2W : Bz,L /AL,Control, H /AL SLA-4P-Q : LL,L,H,HH (Bz,C1,C2,H /AL)
Fuse Rating		-	0.25A, 250V AC
Material		Base Plate : ABS + Glass Cover : ABS	Unburnable ABS
Mounting Method		Rack / Wall Mount	Wall Mount
Dimensions (mm)		49(W) x 60(H) x 69(D)	87(W) x 156(H) x 68.2(D)

Precaution

- This level switch must not be used for liquids containing ester or ketone because they can dissolve the float material.
- This level switch must not be used with aromatic hydrocarbons, such as benzene, toluene, and xylene acid because they can dissolve the float material.
- Animal and vegetable oils must not be used because they may embrittle the PVC coating material used on wires.
- Extra care should be taken when handling and transporting SQH, for the micro switches are quite sensitive to shock and vibration.
- This switch should not be used for high pressure and/or high temperature tanks.
- This switch should not be used in contact with adhesive chemicals.

Ordering Informations

■ Quick Float Type Level Switch

SQ H 1 A 1 A 1 A 1

CONDUIT CONNECTION

- 1 = PF 1/2" (Std.)
- 2 = PT 1/2"
- 3 = PF 3/4"
- 4 = PT 3/4"
- 5 = etc.

MATERIAL OF WEIGHT

- A = PVC Std.(Ø60x110H)
- B = 304SS (Ø60x 80H)
- C = 316SS (Ø60x 80H)
- D = etc.

MEASURING CABLE LENGTH

- 1 = 0 ~ 5M(Std.)
- 2 = Cable Extension (SPST per 1M)
- 3 = Cable Extension (SPDT per 1M)
- 4 = etc.

MOUNTING SIZE(Include Eye-Bolt & Rope)

- A = PF 2" ABS Socket Type (Std.)
- B = PF 2" ABS with JIS 10K 80A FF HDPE Flange
- C = PF 2" ABS with JIS 10K 80A FF PVC Flange
- D = PF 2" ABS with JIS 10K 100A FF HDPE Flange
- E = PF 2" ABS with JIS 10K 100A FF PVC Fange
- F = etc. (ADC Head or Other Flange)
- * ADC Head (Multi-wire Only)

TYPE OF WIRE CONNECTION

- 1 = Multi Wire (Std.)
- 2 = 2 -Wire

OUTPUT

- A = Normal Open A Contact (Std.)
- B = Normal Close B Contact
- C = Normal Open & Close

NUMBER OF FLOAT

- 1 = 1 Points
- 2 = 2 Points
- 3 = 3 Points
- 4 = 4 Points
- 5 = 5 Points

TYPE OF SWITCH

- M = Reed Switch Type, 2" Float
- H = Micro Switch Type, 3" Float
- C = Mercury Switch Type, 3" Float
- E = Mercury Switch Type, 3" 316SS Float (A or B Contact ONLY)

■ When placing an order, selected ordering number should be indicated on the purchase order sheet.



12, Sagimakgol-ro 148beon-gil, Jungwon-gu,
Seongnam-si, Gyeonggi-do, 462-807, Korea
☎ +82-31-627-9000 📠 +82-31-624-5345
<http://www.seojin.biz>

Printed by Daoom. 2010. 04 98-CG-007. Rev: 6

■ Specifications subject to change without notice