

Radio Frequency Type Level Switch

Model : SRF



SeoJin Instech Co., Ltd.

www.seojin.biz

SRF-600, 900

Radio Frequency Type Level Switch



SRF - 600 Series

- DC Version : 24VDC
(2-Wire Power Input)
- Current Output
- Compatible with RF- 600-10U

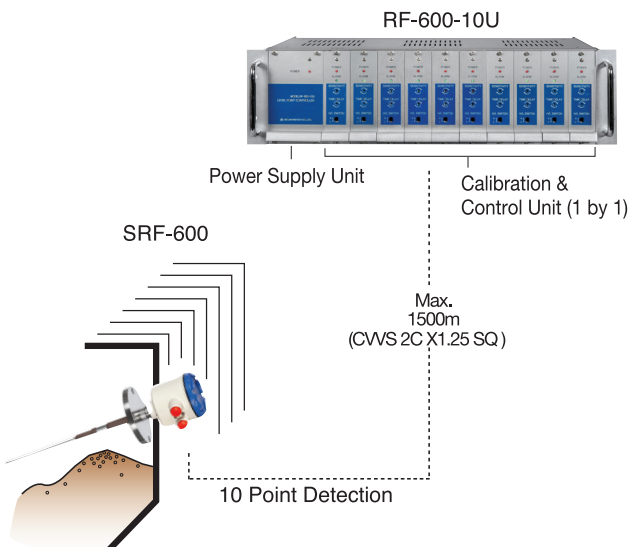
SRF - 900 Series

- Ac Version : 110/220V AC
(Power Input)
- DPDT Output (Relay)

SRF - 600SS

- Separation Distance : 6m Max.
- Cable : RG-62A/U(Belden)
- Head & Probe Separation Type

Remote Control & Power Supply Unit



Features

- Powder & Solid
- Compensation for false indication caused by material coating or build-up
- For high temperature and high pressure
- Head & Probe Separation

Functions

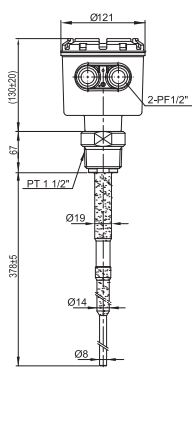
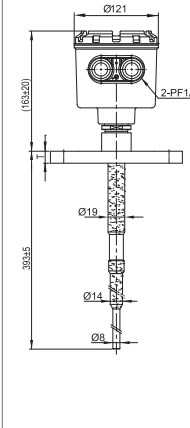
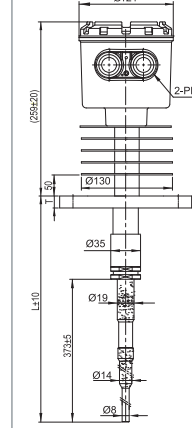
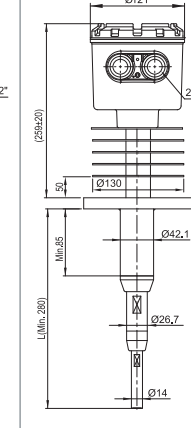
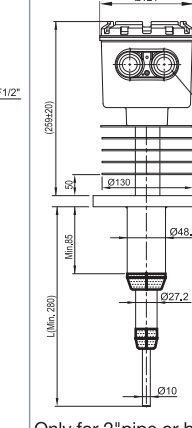
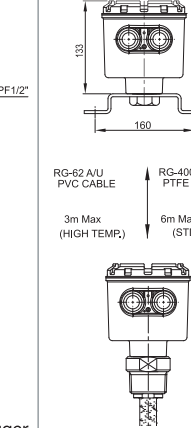
- **Selectable High/Low Alarm**
The high or low alarm can be selected with inside switch setting
- **Time Delay Selection**
Switch selection can adjust the output time from 0.5 to 6 sec
- **Function Test**
With push button switch built in sensor, the operation can be checked under empty tank or no contact with the measured material.
- **Sensitivity Setting**
The capacitance depends on shape of tanks, and the sensitivity can be adjusted with adjuster in sensor in order to match it to site conditions after installation is finished.

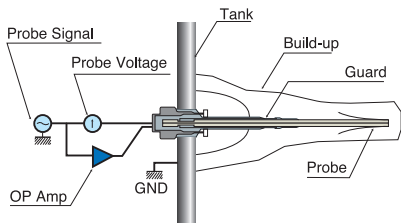
Applications

- Chemical/ Petrochemical industry
- Power Utilities Industry
- Food Industry
- Feed Industry
- Grain Industry
- Pulp/Paper Industry
- Pharmaceutical
- Foundry Industry
- Other Industries

Overall Dimension

■ Sensor Part

NIPPLE	FLANGE	HIGH TEMP.			HEAD & PROBE SEPERATION
		240°C MAX.	300°C MAX.	500°C MAX.	
 <p>Dimensions: (130±20), 67, PT 1 1/2", Ø121, 2-PF1/2", Ø19, 378±5, Ø14, Ø8</p>	 <p>Dimensions: (163±20), Ø121, 2-PF1/2", Ø19, 398±5, Ø14, Ø8</p>	 <p>Dimensions: (259±20), Ø121, 2-PF1/2", 50, Ø130, Ø35, L=10, 373±5, Ø19, Ø14, Ø8</p>	 <p>Dimensions: (259±20), Ø121, 2-PF1/2", 50, Ø130, Min. 85, Ø42.1, L(Min. 280), Ø26.7, Ø14</p>	 <p>Dimensions: (259±20), Ø121, 2-PF1/2", 50, Ø130, Min. 85, Ø48.6, L(Min. 280), Ø27.2, Ø10</p> <p>Only for 2" pipe or bigger</p>	 <p>Dimensions: 133, 160</p> <p>RG-62 A/U PVC CABLE 3m Max (HIGH TEMP.)</p> <p>RG-400 PTFE CABLE 6m Max (STD.)</p>



Generally Capacitance Type Sensor consists of one electrode, which may can allow malfunction by the reason of build-up material between tank wall and sensor. But Radio Frequency Type Level Sensor is designed to compensate for the false indication occurred by the material coating by adding another electrode for complement of such condition, except the electrode for ground and thus the malfunction is improved.

Specifications

DESCRIPTION	SRF - 600 Series	SRF - 900 Series	RF - 600 - 10U
Type	Radio Frequency Level Sensor		Level Switch Controller
Power supply	DC 24V (DC 16 - 30V) 2-Wire		AC 110 / 220V ±10%, 50/60Hz
Signal	Non Detection	DC 9 ~ 12mA	DPDT
	Detection	DC18 ~ 21mA	DPDT
Contact	—	—	AC 250V 5A, DC 30V 5A
Sensitivity Range	5 ~ 30pF		—
Delay Time	0.5, 2, 4, 6 Sec		0.5 ~15 Sec
Probe Material	304SS, 316SS, P.P.S, Ceramic, PTFE(or PEEK) Coating		□
Ambient Temperature	-20 ~ +60°C		
Mounting Method	PT 1", PT 1 1/2", JIS 5K 65A Flange		Rack Mount
Function Method	Selectable H/L Alarm, Operating Test Switch, Sensitivity Adjustment		10 Points Detection
Cable Distance	Head & Probe Separation Distance 6m Max.(Std), 3m Max. (High temp')		1,500m

Process Conditon (SRF-600 Series, SRF-900 Series)

Operation Temperature	-20 ~ +60°C	-20 ~ +240°C	-20 ~ +300°C	-20 ~ + 500°C
Operation Pressure	20kg/cm ²		10kg/cm ²	1.2kg/cm ²
Insulator Material	PPS		Peek-30GF	Ceramic
Probe Material	304SS,316SS			

Ordering Informations

Radio Frequency Type Level Switch

SRF - 900 A 1 A 1 A 1

MATERIAL OF DETECTION PROBE

1 = 304SS
2 = 316SS

CONDUIT CONNECTION

A = PF 1/2" (Std.)
B = PT 1/2"
C = PF 3/4" Explosion proof type
D = PT 3/4"
E = etc.

ENCLOSURE

1 = Weather proof (Std.)
2 = Explosion proof (Ex d IIC T6, IP65)

PROBE LENGTH

A = 381mm (Nipple Type Std.)
B = 371mm (Flange Type Std.)
C = 372 ~ 1000mm
D = etc.

MOUNTING SIZE

1 = PT 1" (Std.)
2 = PT 1 1/2" (Extension Type Only)
3 = JIS 5K 65A FF Flange
4 = etc.

OPERATING TEMPERATURE & MATERIALS

A = -20 ~ +60°C PPS (Std.)
B = -20 ~ +240°C PPS
C = -20 ~ +500°C Ceramic
D = -20 ~ +300°C PEEK-30GF
※C & D Type Mounting size is above 2" Only

POWER SUPPLY

600 = 16 ~ 30V DC (2-Wire Type)
600SS = 16 ~ 30V DC (Head & Probe Separation Type)
900 = 110/220V AC
900SS = 110/220V AC (Head & Probe Separation Type)

■ When placing an order, selected ordering number should be indicated on the purchase order sheet.



12, Sagimakgol-ro 148beon-gil, Jungwon-gu,
Seongnam-si, Gyeonggi-do, 462-807, Korea
☎ +82-31-627-9000 📠 +82-31-624-5345
<http://www.seojin.biz>

Printed by Daoom. 2006. 07 97-CG-001. Rev: 7

■ Specifications subject to change without notice